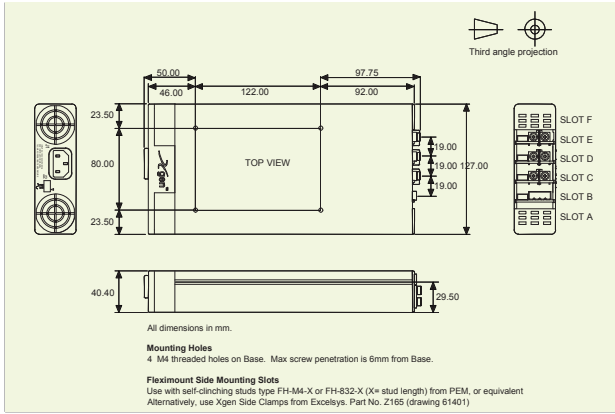
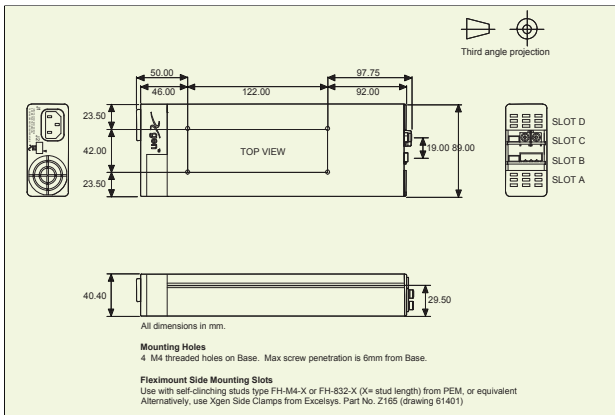


Connectors and Pin-Outs

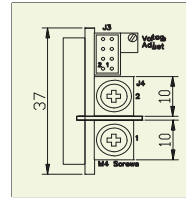


Note: XCE, XVE, XFA, XFB, XFC, XFN dimensions L=268mm



Note: XLD, XMD dimensions L=268mm

powerMod Type A



J1: Input Mains Connector
IEC320

Note: For use in ambient temperatures >60C, a hot condition mating connector and cable must be used.

Input Cable and Connector

input cable optional
Line: Connector Faston Receptacle 6.3 x 0.8mm
Neutral: Connector Faston Receptacle 6.3 x 0.8mm
Earth: Connector Crimp Terminal Ring M3

J2: powerPac Signal Connector

Pin	J2 powerPac
1	Common
2	+5V Bias
3	
4	AC Fail
5	Fan Fail
6	Global Enable
7	Temp Alarm
8	Global Inhibit

Mating parts:
Housing Molex p/n 51110
Crimp Terminal Molex p/n 50394

J3: powerMod Signal Connector

Pin	Type A	Type A	Type B
	Xg1-Xg5	XgA-XgD	Xg7 & XgE - V1 only
	XgG-XgT		Xg8 & XgF - V1 & V2
1	+Sense	Not Used	-PG (V2)
2	-Sense	Common	+PG (V2)
3	Vtrim	Not Used	Inhibit (V2)
4	Itrim	Not Used	Common (V2)
5	+Inhibit/Enable	Inhibit+	-PG (V1)
6	-Inhibit/Enable	Inhibit-	+PG (V1)
7	+Power Good	Not Used	Inhibit (V1)
8	-Power Good	Not Used	Common (V1)

Mating parts:
Housing Molex p/n 51110
Crimp Terminal Molex p/n 50394

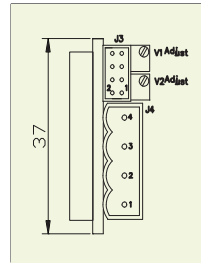
J4: powerMod Output Connector

Pin	Type A	Type B
1	-Vout	-V2
2	+Vout	+V2
3		-V1
4		+V1

Type A : M4 Screw Terminals
Type B : Mating part:
Camden - CTB9200/4A

Note: Cables must be rated 105°C minimum.

powerMod Type B



Labeling and Model Numbers

powerMod

powerMod labels contain:
..Minimum, Nominal & Maximum voltage adjustment range.
..Maximum current (Imax)
..Maximum power (Watts)

..Model number
Model numbers are easily identified by the number marked on the top of signal connector J3.

powerPac

powerPac labels contain:
..Input Freq
..Input Voltage
..Fuse rating
..Serial Number
..Maximum combined power rating of inserted powerMods
..Maximum Line current under rated conditions
..Model Number in the format XCD [] [] [] [] - 01 as an example for a 1200W Xc model, with optional Thermal Signals.

When the powerPac has no powerMods inserted, its Model number is simply XCD-01.

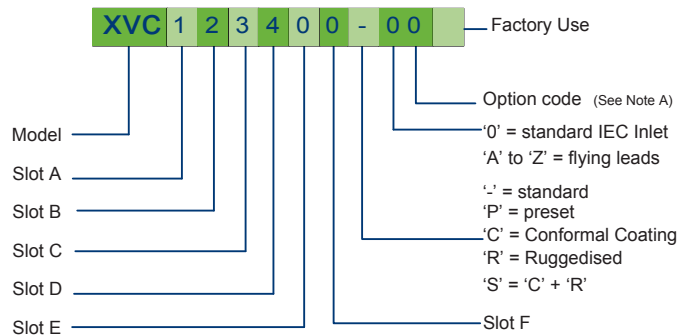
When the powerPac has one or more powerMods inserted, its model number may be easily read to be XCD012340-01 as an example, where powerMods Xg1, Xg2, Xg3, Xg4 are inserted in Slots B,C,D,E respectively with slot covers in the remaining slots A and F.

Configuration Considerations

- When parallel connecting outputs, refer to Section 4.6 of Product catalogue for set-up, including Vtrim adjust and I-Share switch.
 - When connecting outputs in series to achieve voltages in excess of 59VDC (SELV), ensure that appropriate safety precautions are taken in the system.
 - Before removing and replacing output modules, remove input power for 2 minutes.
 - For proper connection to Inhibit, Enable, Fan Fail, Over Temp alarm, and Output Signals Power Good refer section 4.7 and 4.9 of Product Catalogue.
 - For power derating, refer to Section 4.11 of Product Catalogue.
 - For motor loads, high inductance, and high capacitance: blocking diode may be needed. Contact Excelsys for support.
- Refer to the Product Series Catalogue for information on all the above and additional information regarding the set, installation and operation of the UltiMod and Xgen Series.

Excelsys Technologies Ltd. reserves the right to alter or improve the specification, internal design or manufacturing process without notice. Please check with your Excelsys representative or visit www.excelsys.com to ensure that you have the current and complete specification for your product before use. For information and instructions on use, please consult the Designers' Manuals for these products at www.excelsys.com.

UltiMod and Xgen Series Part Numbering System



Note A: Option Codes
0 = Standard Model
1 = Thermal Signals
2 = Reverse Fan
3 = Thermal Signals & Reverse Fan

4 = Low Leakage Model
5 = Low Leakage & Thermal Signals
6 = Low Leakage & Reverse Fan
7 = Low Leakage, Thermal Signals & Reverse Fan

