



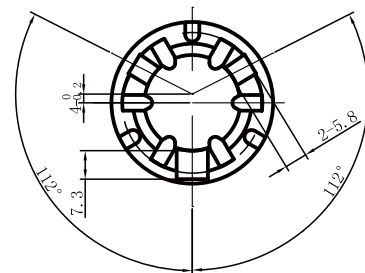
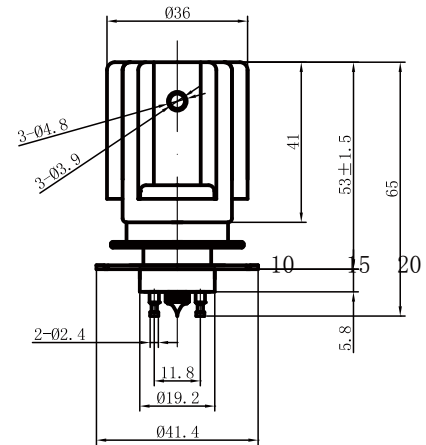
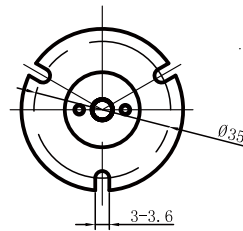
High Voltage Products. High Voltage Experts

# Vacuum Relays

# V25

## SPECIFICATIONS

Contact & Relay Ratings	Units	V25
Contact Form		C
Contact Arrangement		SPDT
Contact Material (moveable/stationary)		molybdenum /tungsten
Dielectric		Vacuum
Voltage, Test Max., Contacts & to Base (15 µA Leakage Max.)	dc or 60Hz	kV Peak 27
Voltage, Operating Max., Contacts & to Base (15 µA Leakage Max.)	dc or 60 Hz	kV Peak 25
Current, Load Switching		Contact factory
Current, Continuous Carry Max	dc or 60 Hz	Amps 18
Coil Hi-Pot (V RMS, 60 Hz)	V	500
Resistance, Contact Max @ 1A, 28 Vdc	ohms	0.1
Operate Time	ms	15
Release Time	ms	15
Life, Mechanical	cycles	1 million
Weight, Nominal	g (oz)	120 (4)
Vibration, Operating, Sine (55-500 Hz Peak)	G' s	10
Shock, Operating, 1/2 Sine11ms (Peak)	G' s	20
Temperature Ambient Operating	°C	-55 to +125



## COIL RATINGS

Nominal, Volts dc	12	26.5	115
Pick-up, Volts dc, Max.	9	18	90
Drop-Out, Volts dc	.5 - 5	1 - 10	5 - 55
Coil Resistance (Ohms ±10%)	30	125	2000

## PART NUMBER SYSTEM

V25	S	P	
High Voltage/ Power Terminal Connections	S = Solder Pot W = Screw, M3		
Mounting		P = Through Panel F = Flange	
Coil Voltage *			Blank = 26.5 Vdc -12Vdc = 12Vdc -115Vdc = 115Vdc